

# EL-UP - Cable system

*WIRE MESH CABLE TRAYS*



- *Easy and fast to fix;*
- *Flexibility;*
- *System stability;*
- *No additional fixing, mounting brackets, no screws;*
- *Elegant design*

**Dana Metal Ukraine**

Dana Metal Ukraine is a daughter company of a Danish company—Dana Metal Denmark. Dana Metal Denmark has over 10 years experience in production and supplying wire products and steel constructions. It has a wide range of products' diversity. Dana Metal Denmark has its representatives and production companies in Poland and Ukraine, beginning from 2004.

Dana Metal is also a subcontractor for producers, importers and suppliers of cable systems.

Beginning from 2013 Dana Metal Ukraine starts to develop cable system project. Cable system is a set of wire mesh cable trays, which can be connected in a special innovative manner.

Today Dana Metal Ukraine is ready to supply such systems to the customers on the inner market.

Due to specially designed cable system, that Dana Metal Ukraine can offer you, there is no need to use a huge amount of brackets and screws to connect the parts any more.



**Dana Metal cable modules – innovative connection**

Cable system parts can be easily adapted to any installation type, as they have such main features:

- Easy and fast to fix;
- Flexibility;
- System stability;
- No additional fixing, no mounting brackets;
- No screws;
- Parts are sliding into each other, establishing strong connection;
- Parts can be connected without any additional tools and they are tightened by two 5mm hooks;
- Elegant design

**Surface treatment**

Dana Metal cable system product line goes standard in EL galvanizing but it can also be delivered in any RAL color powder painting or hot-galvanizing.

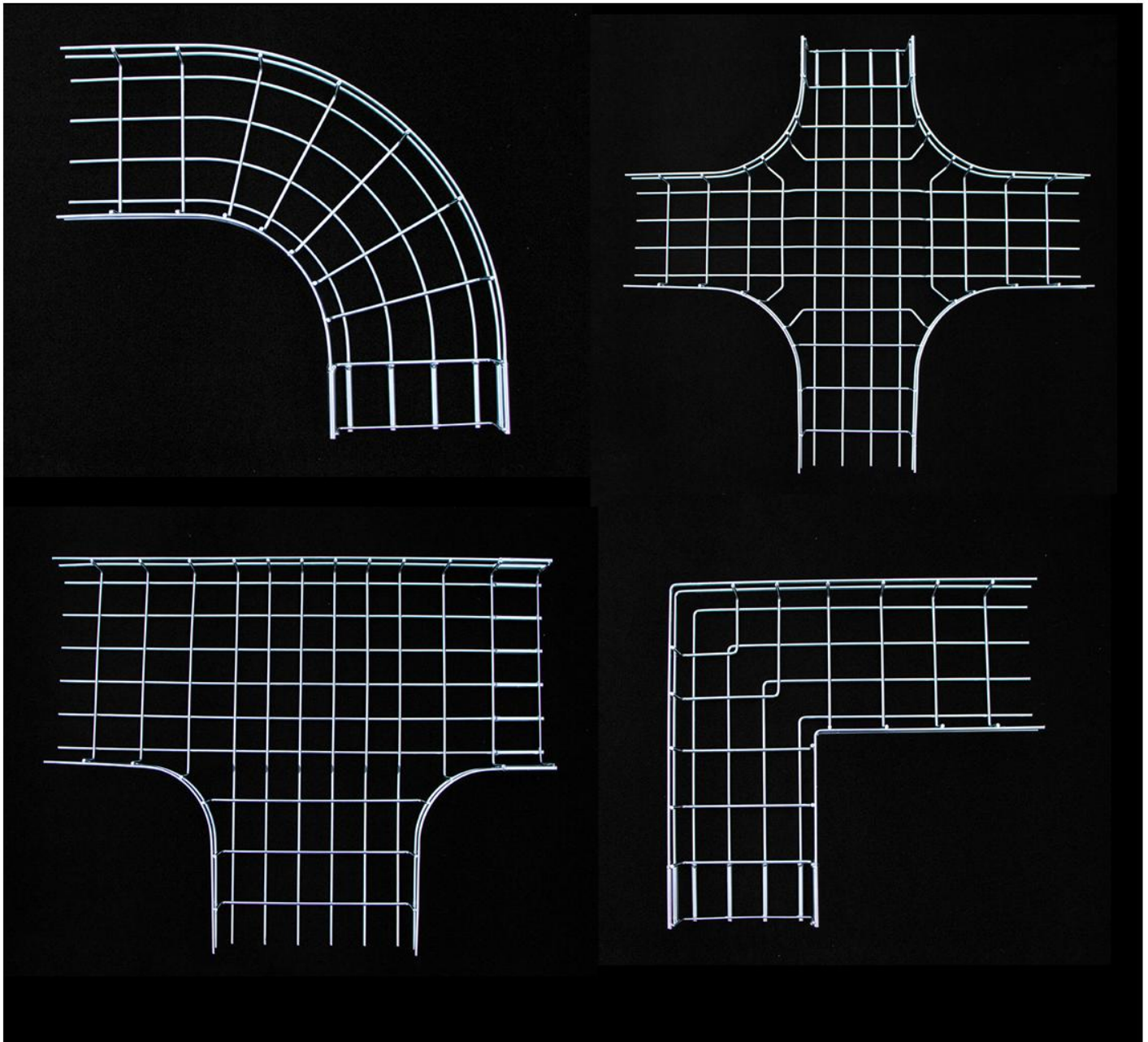
**Stainless steel**

For food-manufacturing industries and offshore the modules are supplied in two different stainless steel qualities, depending on the customer's needs.

**Cable system modules**

Dana Metal cable system deliver standard modules in different shapes – corners, T-like, cross shaped and many more to make a system with several or lots of branches – until the cable installation is totally professionally set up. Time for putting up the cable canal system is reduced due to the fact that you don't pay much attention to connect up the sections. With a factory supplied cable system parts, cable installation becomes more elegant and effective. Special fixing and technically designed sections provide appropriate design concept.

**Examples of standard modules**

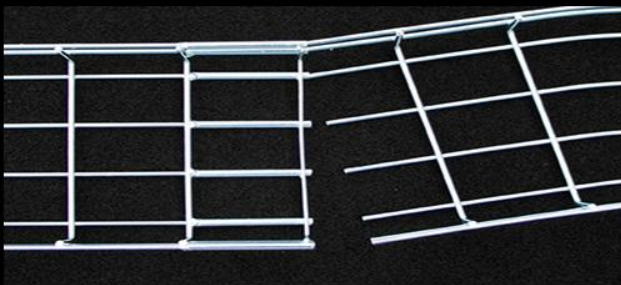


**Cable system modules – strong connection**

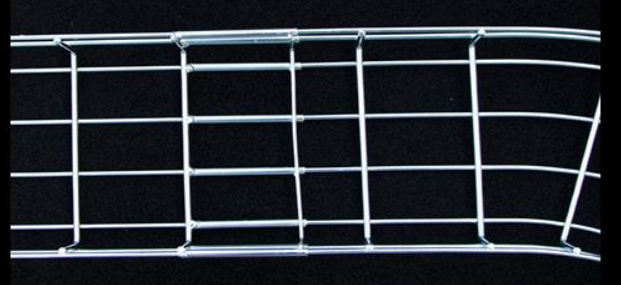
**Flexibility and effective connection**

Modules can be easily turned into any direction. Moreover, modules can be easily connected. One part of a module ends with a wire (male plug), the other part of a module ends with a pipe (female plug). That gives you a possibility to connect parts without any other tools or fixings. The length of interconnecting piece reaches 60mm.

In such a way you can settle the length within 30-60mm in each connection while installing cable system, and as a result you will have an appropriate length of the whole cable system.



Modules can easily turn and connect.



Two modules with 60mm interconnecting piece.

With beveled edges on both ends of a cable tray, it will take you a second to connect the parts.



Wall bracket



Ceiling pendant



Cable tray locks in tightly with a special tool - wrench – Dana Metal gives you for free together with your order.

**Wall bracket and ceiling pendant**

The cable system wall brackets and ceiling pendants are designed in lightweight and heavyweight series so they can fit customer's needs. They are delivered as standard for cable systems that has a width less than 400mm. The cable modules' tightening process is safe, and it will take you only a minute. Modules lock in tightly with the help of a special tool – a wrench – using which you can turn and bend 5mm wire locks. As soon as you lock the modules you can be sure that cable system is strong and stable. Stainless steel wrench is included into the order and is always supplied by Dana Metal for free.

**Cable system modules – easy and functional**

Dana Metal cable systems don't have any brackets, sitting beneath cable canal. There are no plates and bolts down the cable modules. Without them cable system installing becomes easy and fast.

Cable trays are set on a 75mm distance from the wall. As a result you have an additional space, for example, for pipes and cables.

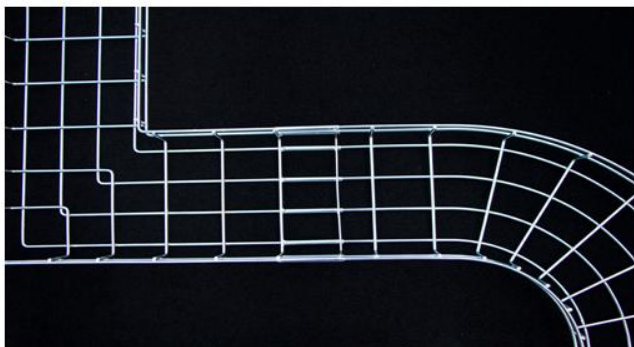
75mm distance between the wall and cable tray allows to make a place for pipes.



**7 main reasons**

to choose Dana Metal cable systems:

1. You will spend much less time for system installing than with the traditional systems;
2. Cable systems are effectively designed;
3. Easiness in connection and installing;
4. T-like, cross-like modules and corners are standard modules;
5. The distance between cross wires in a wire tray makes up only 80mm, that ensures the quality of cable installation, keeps from cable deflection and guaranties better information transfer speed;
6. You can regulate the distance of the cable system through to millimeters;
7. Technical department with 5 engineers and technicians is always ready to put into action any customers' preferences.



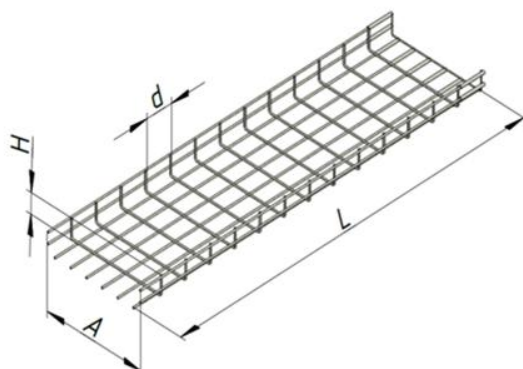
30mm connection. Cable trays moved for 30mm.

**Easy distance regulation**

In case, the cable line length is not suitable, you can easily cut off a piece from a module male part and then slide two modules together again without any bolts or clamps. Final corners' settings you can make with the help of 30mm connection distance between two cable trays.

**STRAIGHT MODULE**

100-200-300 mm

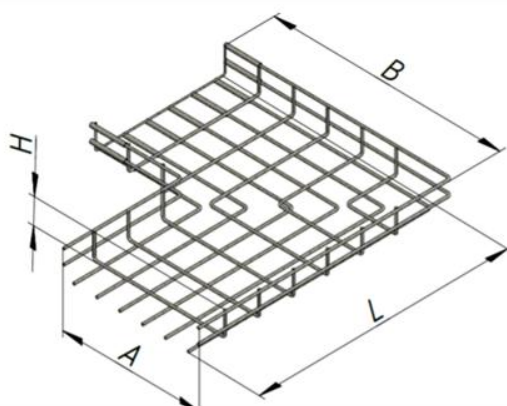


A-mm	L-mm	H-mm	d-mm
100	3060	60	80
200	3060	60	80
300	3060	60	80

Width	EL-galv	Stainless steel	Hot galv
100	10100	11100	12100
200	10200	11200	12200
300	10300	11300	12300

**CORNER MODULE**

100-200-300 mm

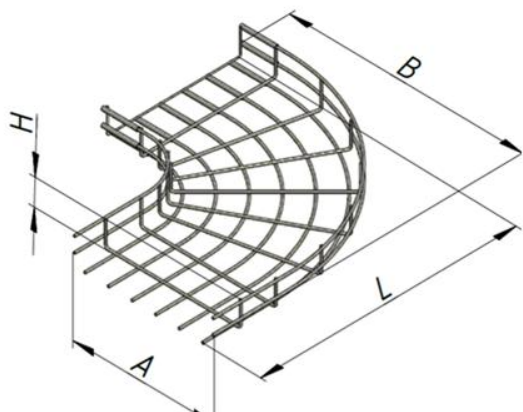


A-mm	L-mm	H-mm	B-mm
100	455	60	395
200	505	60	445
300	555	60	495

Width	EL-galv	Stainless steel	Hot galv
100	10101	11101	12101
200	10201	11201	12201
300	10301	11301	12301

**CIRCLE MODULE**

100-200-300 mm

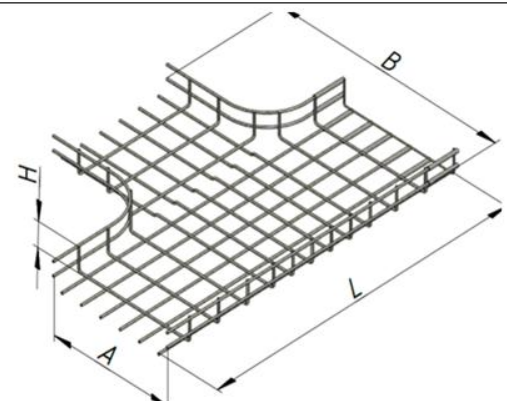


A-mm	L-mm	H-mm	B-mm
100	455	60	395
200	505	60	445
300	555	60	495

Width	EL-galv	Stainless steel	Hot galv
100	10102	11102	12102
200	10202	11202	12202
300	10302	11302	12302

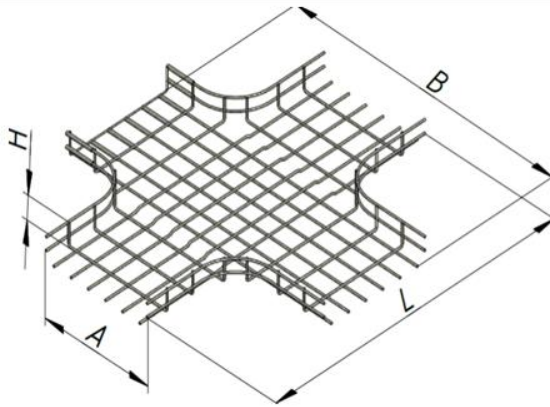
**T-LIKE MODULE**

100-200-300 mm



A-mm	L-mm	H-mm	B-mm
100	750	60	455
200	750	60	505
300	750	60	555

Width	EL-galv	Stainless steel	Hot galv
100	10105	11105	12105
200	10205	11205	12205
300	10305	11305	12305

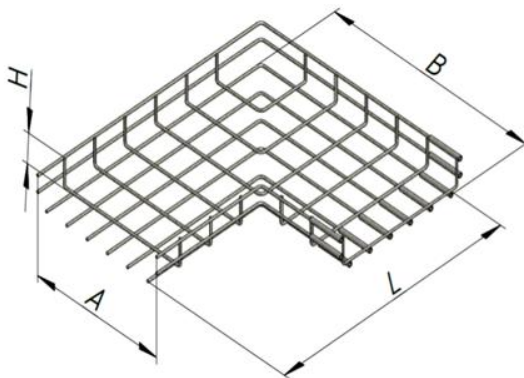


**CROSS-LIKE MODULE**

100-200-300 mm

A-mm	L-mm	H-mm	B-mm
100	810	60	750
200	810	60	750
300	810	60	750

Width	EL-galv	Stainless steel	Hot galv
100	10107	11107	12107
200	10207	11207	12207
300	10307	11307	12307

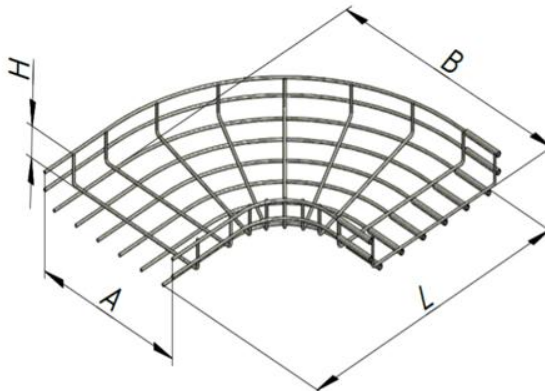


**CORNER MODULE**

100-200-300 mm

A-mm	L-mm	H-mm	B-mm
100	455	60	395
200	505	60	445
300	555	60	495

Width	EL-galv	Stainless steel	Hot galv
100	10103	11103	12103
200	10203	11203	12203
300	10303	11303	12303

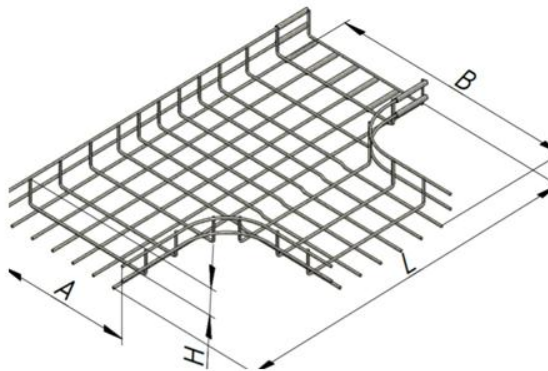


**CIRCLE MODULE**

100-200-300 mm

A-mm	L-mm	H-mm	B-mm
100	455	60	395
200	505	60	445
300	555	60	495

Width	EL-galv	Stainless steel	Hot galv
100	10104	11104	12104
200	10204	11204	12204
300	10304	11304	12304



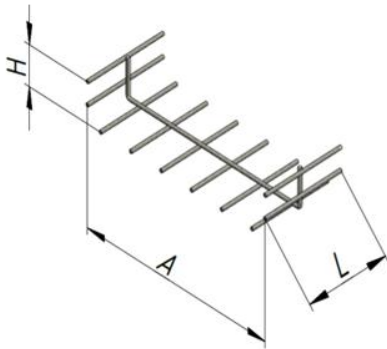
**T-LIKE MODULE**

100-200-300 mm

A-mm	L-mm	H-mm	B-mm
100	750	60	455
200	750	60	505
300	750	60	555

Width	EL-galv	Stainless steel	Hot galv
100	10106	11106	12106
200	10206	11206	12206
300	10306	11306	12306



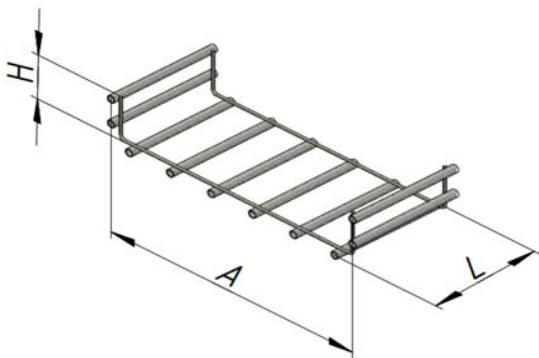


**MALE PART**

100-200-300 mm

A-mm	L-mm	H-mm
100	125	60
200	125	60
300	125	60

Width	EL-galv	Stainless steel	Hot galv
100	10108	11108	12108
200	10208	11208	12208
300	10308	11308	12308

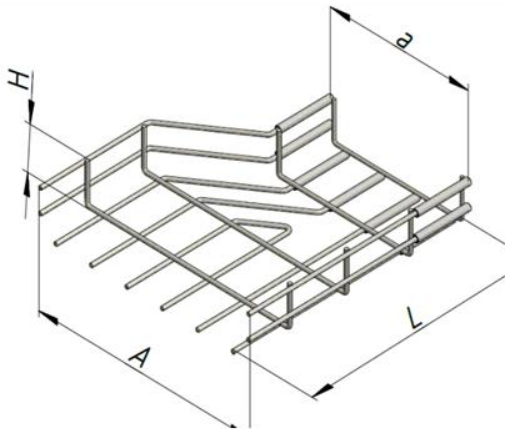


**FEMALE PART**

100-200-300 mm

A-mm	L-mm	H-mm
100	125	60
200	125	60
300	125	60

Width	EL-galv	Stainless steel	Hot galv
100	10109	11109	12109
200	10209	11209	12209
300	10309	11309	12309

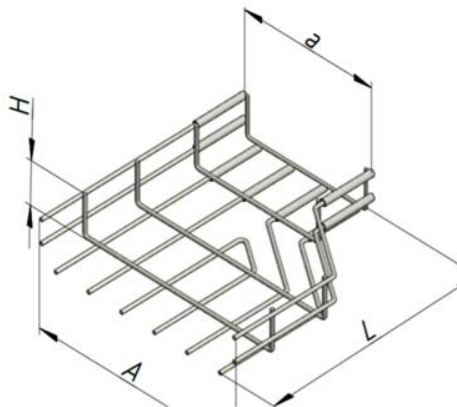


**REDUCTION**

200-300 mm

A-mm	L-mm	H-mm	a-mm
200	310	60	100
300	310	60	200

Width	EL-galv	Stainless steel	Hot galv
200	10210	11210	12210
300	10310	11310	12310



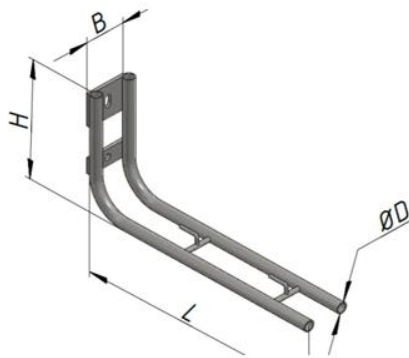
**REDUCTION**

200-300 mm

A-mm	L-mm	H-mm	a-mm
200	310	60	100
300	310	60	200

Width	EL-galv	Stainless steel	Hot galv
200	10211	11211	12211
300	10311	11311	12311



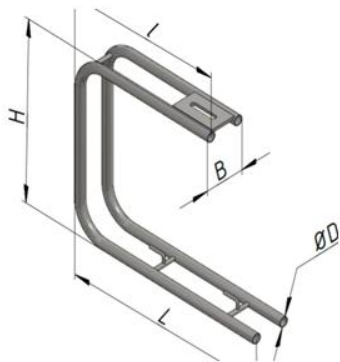


**WALL BRACKET (DOUBLE)**

100-200-300 mm

A-mm	L-mm	H-mm	B-mm	D-mm
100	170	180	70	16
200	270	180	70	16
300	370	180	70	16
300	370	180	75	20

Width	EL-galv	Stainless steel	Hot galv
100	10112	11112	12112
200	10212	11212	12212
300ø16	10312	11312	12312
300ø20	10313	11313	12313



**CEILING PENDANT (DOUBLE)**

100-200-300 mm

A-mm	L-mm	H-mm	B-mm	I-mm	D-mm
100	165	300	70	165	16
200	265	300	70	220	16
300	365	300	70	270	16
300	365	300	75	270	20

Width	EL-galv	Stainless steel	Hot galv
100	10114	11114	12113
200	10214	11214	12213
300ø16	10314	11314	12313
300ø20	10315	11315	12315

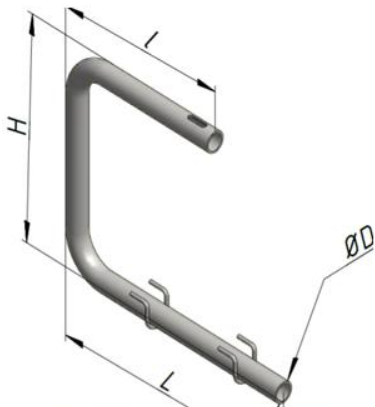


**WALL BRACKET (SINGLE)**

100-200-300 mm

A-mm	L-mm	H-mm	B-mm	D-mm
100	170	130	40	20
200	270	130	40	20
300	370	130	40	28

Width	EL-galv	Stainless steel	Hot galv
100	10116	11116	12116
200	10216	11216	12216
300	10316	11316	12316



**CEILING PENDANT (SINGLE)**

100-200-300 mm

A-mm	L-mm	H-mm	I-mm	D-mm
100	165	300	150	20
200	265	310	200	28
300	365	310	250	28

Width	EL-galv	Stainless steel	Hot galv
100	10117	11117	12117
200	10217	11217	12217
300	10317	11317	12317



## **DANA METAL UKRAINE**

77422 Ukraine, Ivano-Frankivsk region  
Tysmenytsya distr., village Yamnytsia,  
Galitska Street 58/ bld. 212

phone: (0342) 59-51-31

fax: (0342) 59-51-35

[salesmanager@danametal.if.ua](mailto:salesmanager@danametal.if.ua)